

# WINE MASTER

le temps d'être différent

## EFFICIENCY AND LOW CONSUMPTION

Designed for spaces up to 100 cubic meters in volume, WineMaster® SP100 air conditioners are exceptionally high-efficiency and allow for significant energy savings.

WINE CELLAR AIR CONDITIONER



100 m<sup>3</sup>

Air-conditioning up to 100 m<sup>3</sup>



High performance integrated thermostat



Quiet



Respectful of the environment



Ideal climate conditions for the preservation of your wine



**NEW**  
Connectable device (function with subscription)

# WINE

# SP100

/ 4 / 8 METERS  
/ PRO

THE SPLIT UNITS

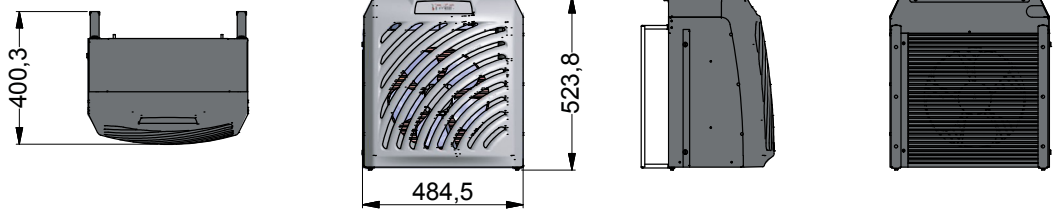




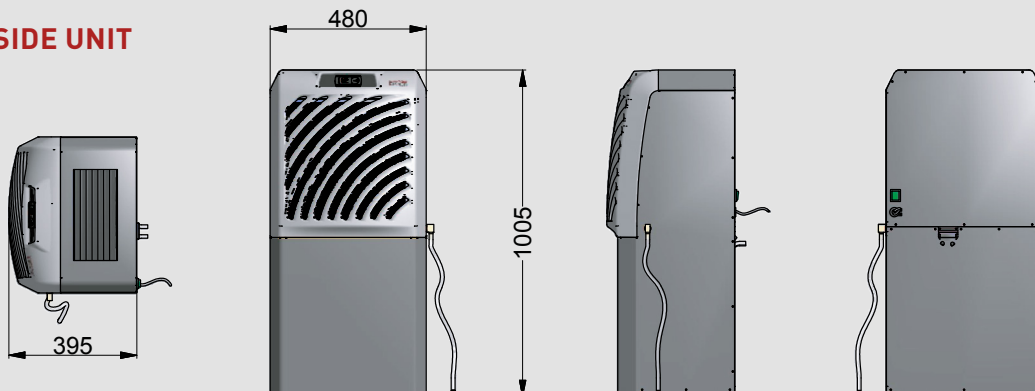
# WINESP100

- Keeps cellars at a constant temperature of between 8 and 18 °C\*
- Humidity control : excess humidity is condensed and evacuated towards the outside
- Rubber shock absorbers are incorporated, creating an anti-vibration system
- Reheating feature
- Easy upkeep: just a filter that needs to be changed once a year
- Digital display electronic thermostat
- Reaction turbines for well-controlled consumption
- 2 year warranty

## OUTSIDE UNIT



## INSIDE UNIT





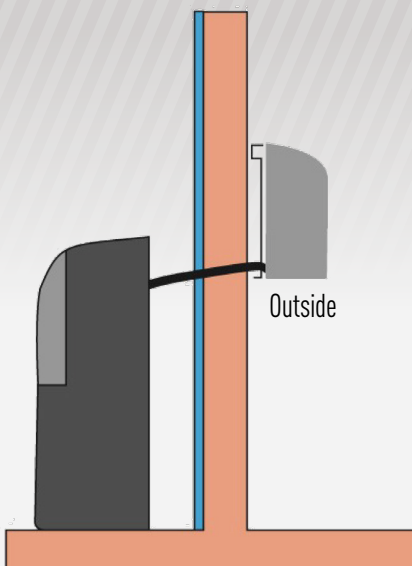
## EASY TO INSTALL

Ready to be installed, the Wine SP100 has a simple and quick plug-in system with two useful line lengths for connecting the outside and inside units: ■ SP100-4: 4 m ■ SP100-8: 8 m.

■ **Important** : The SP100 PRO model must be installed by a professional.

The outside unit, which is very quiet, can thus be moved further away from the inside unit, and set up outside the house; an ideal solution if the cellar is underground or if it is directly adjacent to the living space.

THE SPLIT UNITS WINEMASTER®



REFERENCE	PRECHARGE	
	SP100-4 SP100-8	SP100 PRO
Electrical supply	230-240 V - 50Hz	230-240 V - 50Hz
Air conditioning capacity*	Up to 100 m <sup>3</sup> *	Up to 100 m <sup>3</sup> *
Overall dimensions	W.480 x H.1005 x D.395 mm	W.480 x H.1005 x D.395 mm
Weight	64 Kg	64 Kg
Cooling capacity	2500 W ta 12 °C	2500 W at 12 °C
Electrical power absorbed	1250 W	1250 W
Sound level in the cellar (at 1m and 3m)	53 dB / 50 dB	53 dB / 50 dB
Cellar airflow rate (cold side)	500 m <sup>3</sup> /h	500 m <sup>3</sup> /h
Outside airflow rate (hot side)	750 m <sup>3</sup> /h	750 m <sup>3</sup> /h
Coolant	R407 C	R407 C
Heat resistance	1000 W	1000 W
Temperature regulation*	Preset to 12 °C adjustable between 8 and 18 °C*	Preset to 12 °C adjustable between 8 and 18 °C*
Max. outside temperature**	35°C	35°C
Line Lengths for connecting	4 or 8 meters	Max. 15 meters

\* With right insulation and adapted to the volume of the cellar.

\*\* The power could be reduced in function of outside temperature, its why the device may lose capacity to keep the cellar at 12 °C if the outside temperature gets close to 35 °C.

## WINEMASTER CONNECT, Just one box and your wine cellar is connected!



Optimal wine  
conservation



Remote  
supervision



Statistics  
in real time



Failure alerts

Thanks to WineMaster Connect, you can remotely adjust and ensure the correct operation of your air conditioner. Simply plug our connected box into your air conditioner to monitor or change the main operating parameters in real time.

This device works with a subscription. Ask your retailer for details of pricing.



# A STORY OF LOVE AND TERROIR...

It is in the foothills of the Alsatian vineyards, where the wine route starts, that the WineMaster® story begins. Our attachment to terroir and our love of wine have always been the source of our thought process and creativity.

Ever since its inception in 1984, the skills and know-how of the men and women of WineMaster® have been at the heart of every step in the air conditioner making process.

Quality and detail are what motivate us, and we are proud of our products and their 100 % Alsatian design.

“ INNOVATION AND EXCELLENCE ARE WINEMASTER'S KEY VALUES. ”



**WINEMASTER**  
le temps d'être différent

Z.I. VIEUX-THANN ■ 18 RUE GUY DE PLACE  
BP 60010 ■ F68801 THANN CEDEX  
Tél : +33 (0) 389 377 515 ■ E-mail : [contact@winemaster.fr](mailto:contact@winemaster.fr)  
[www.winemaster.fr](http://www.winemaster.fr)